

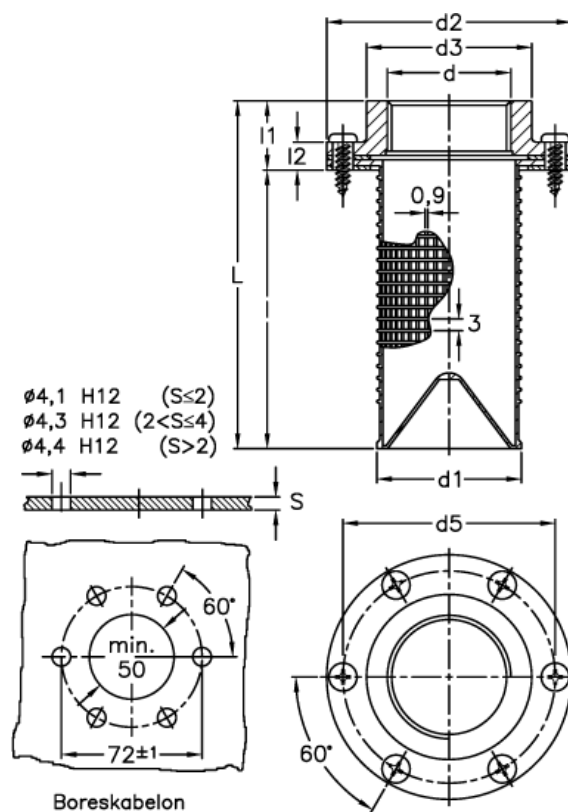
Data Sheet



Article number: 2311009101

Description: E+G Threaded flange
FRF+C

Measures



$d = G 1 \frac{1}{4}$ | $l_2 = 9$

$d_1 = 49$

$d_2 = 83$

$d_3 = 56$

$d_5 = 72$

$l = 94.5$

$L = 118$

$l_1 = 23.5$